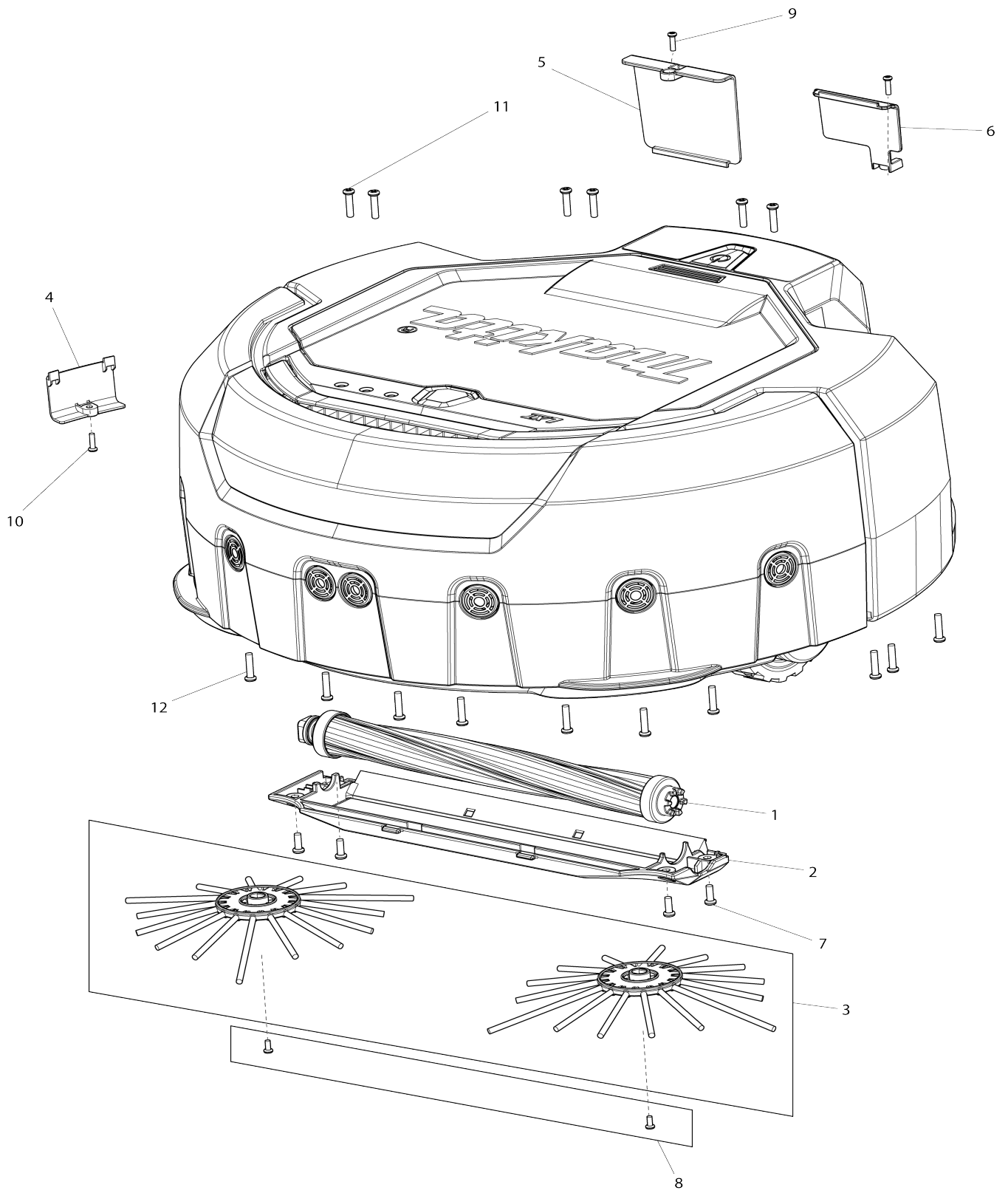
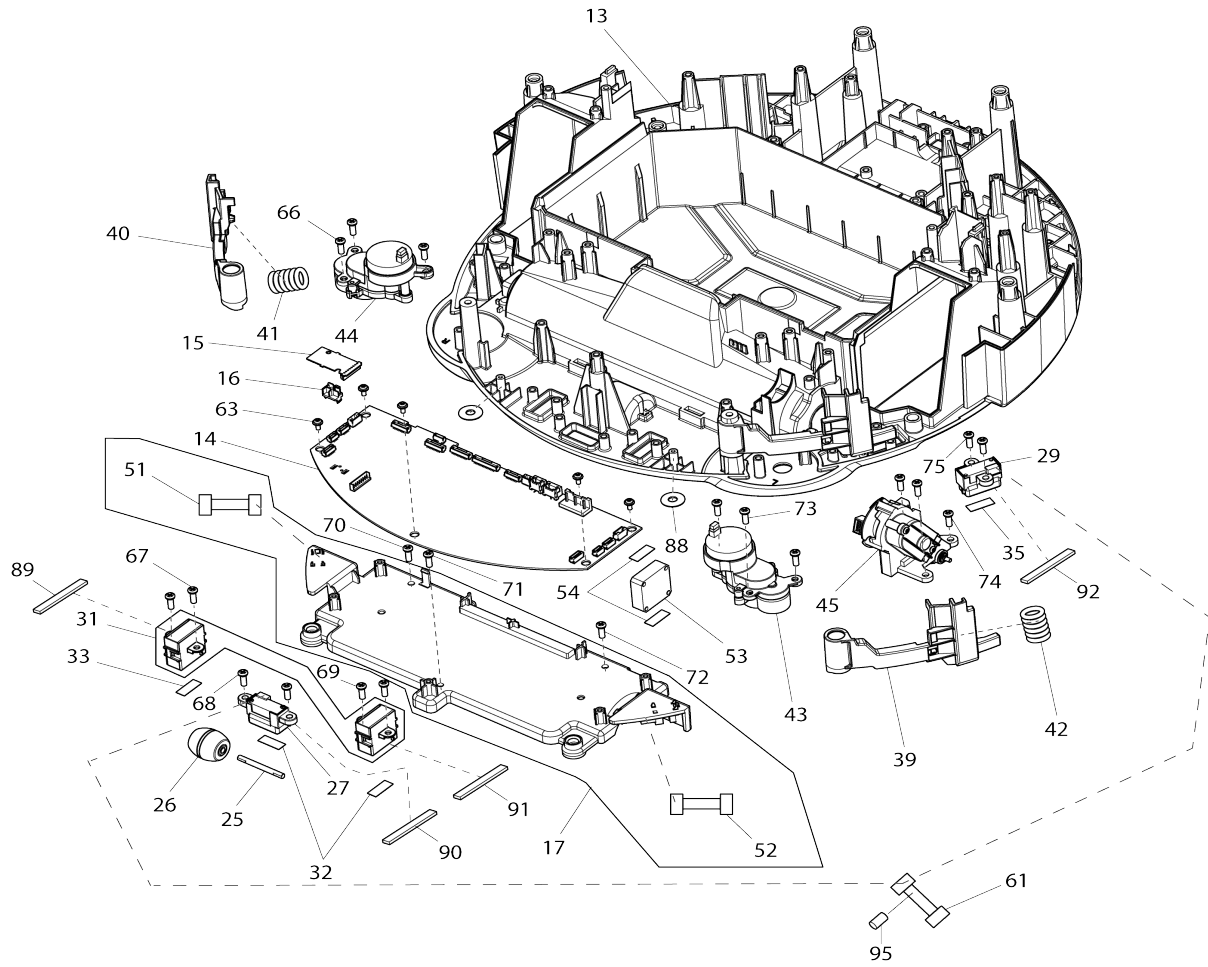


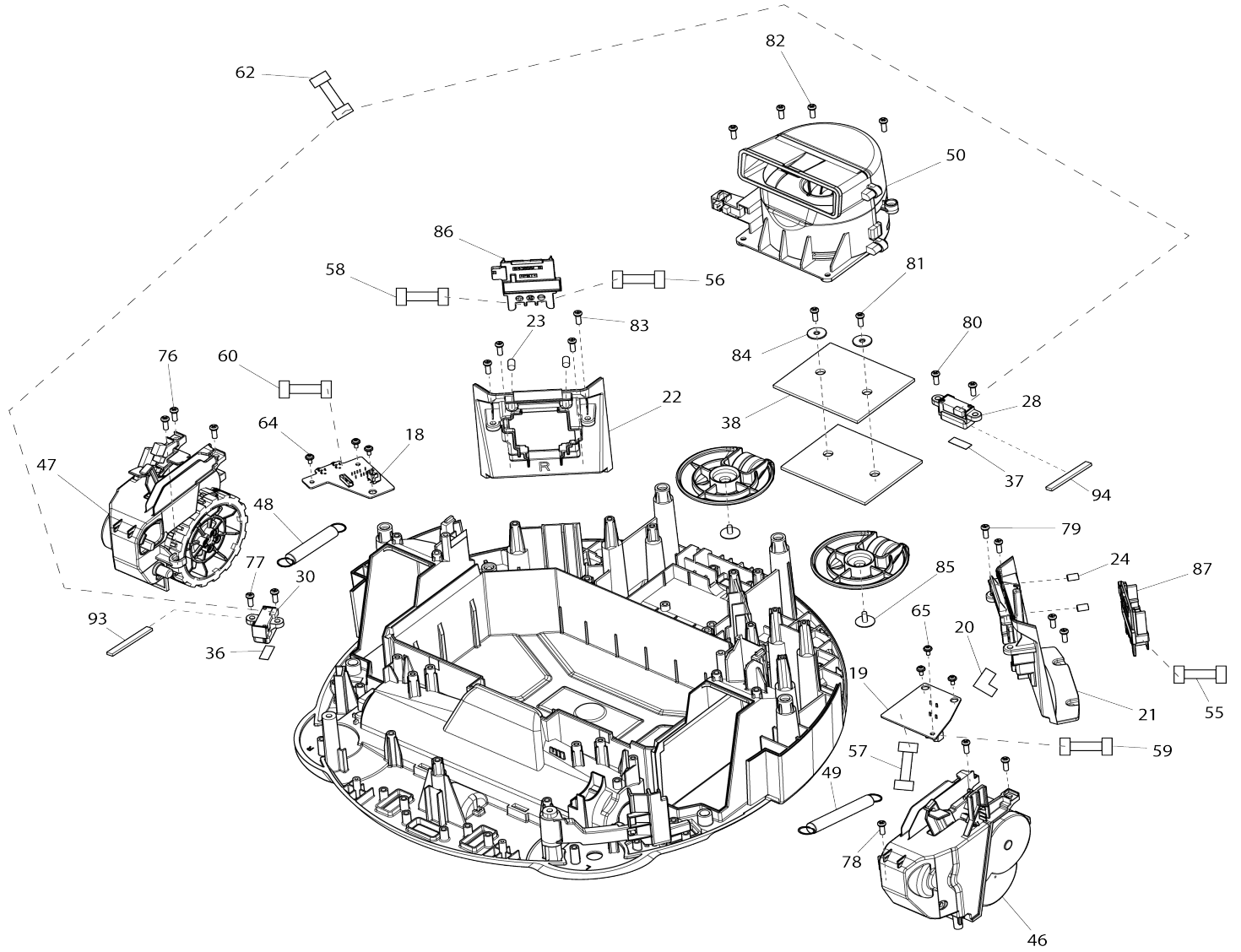
Model No.DRC200 ROBOTIC CLEANER



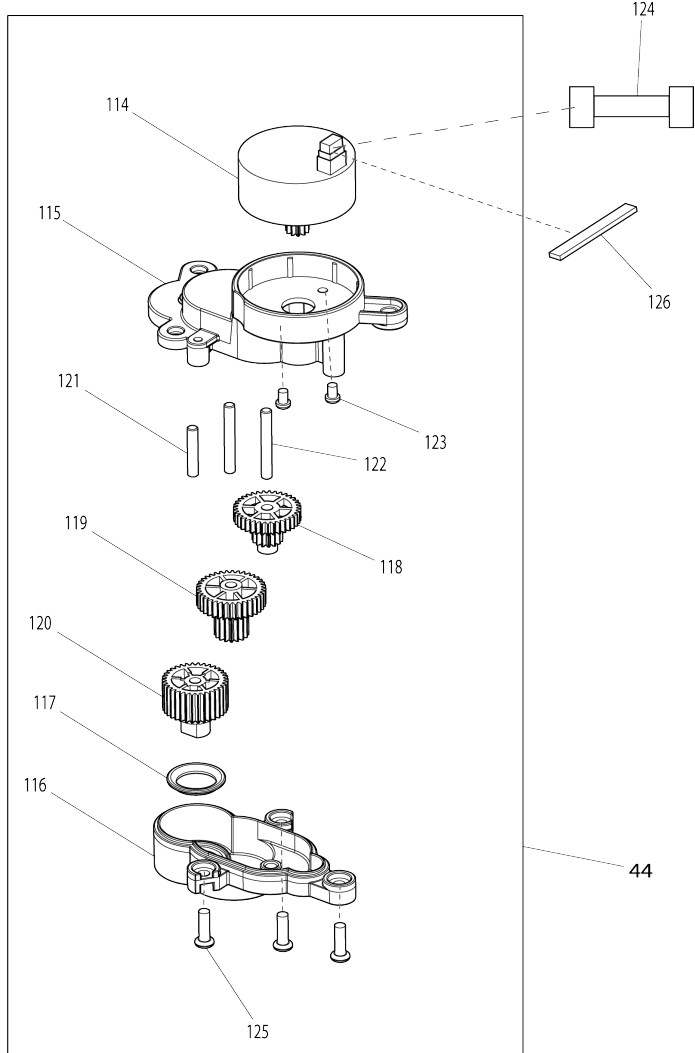
Model No.DRC200 ROBOTIC CLEANER



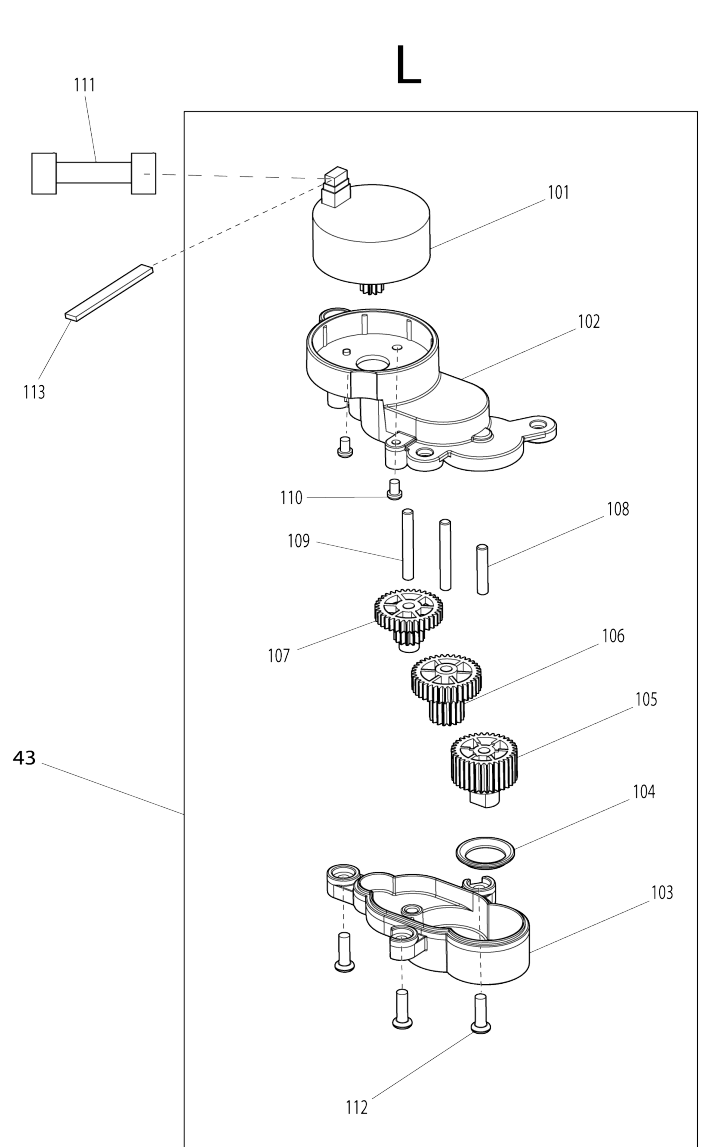
Model No.DRC200 ROBOTIC CLEANER



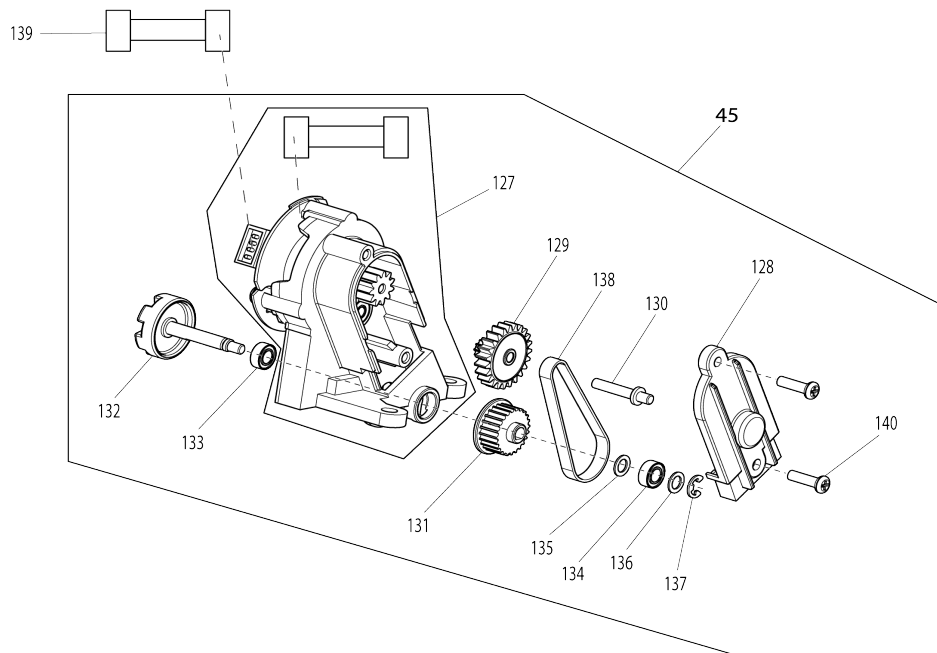
R



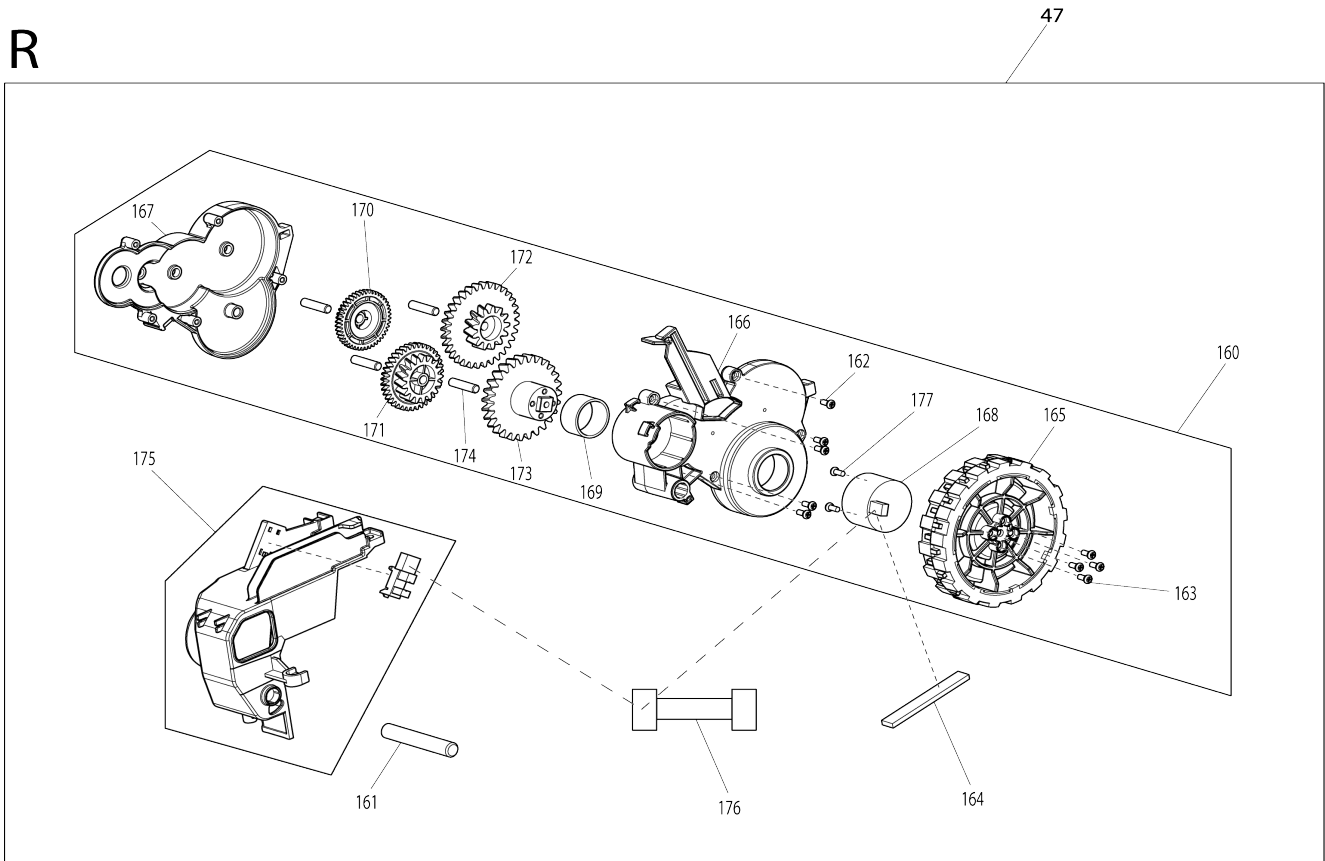
L



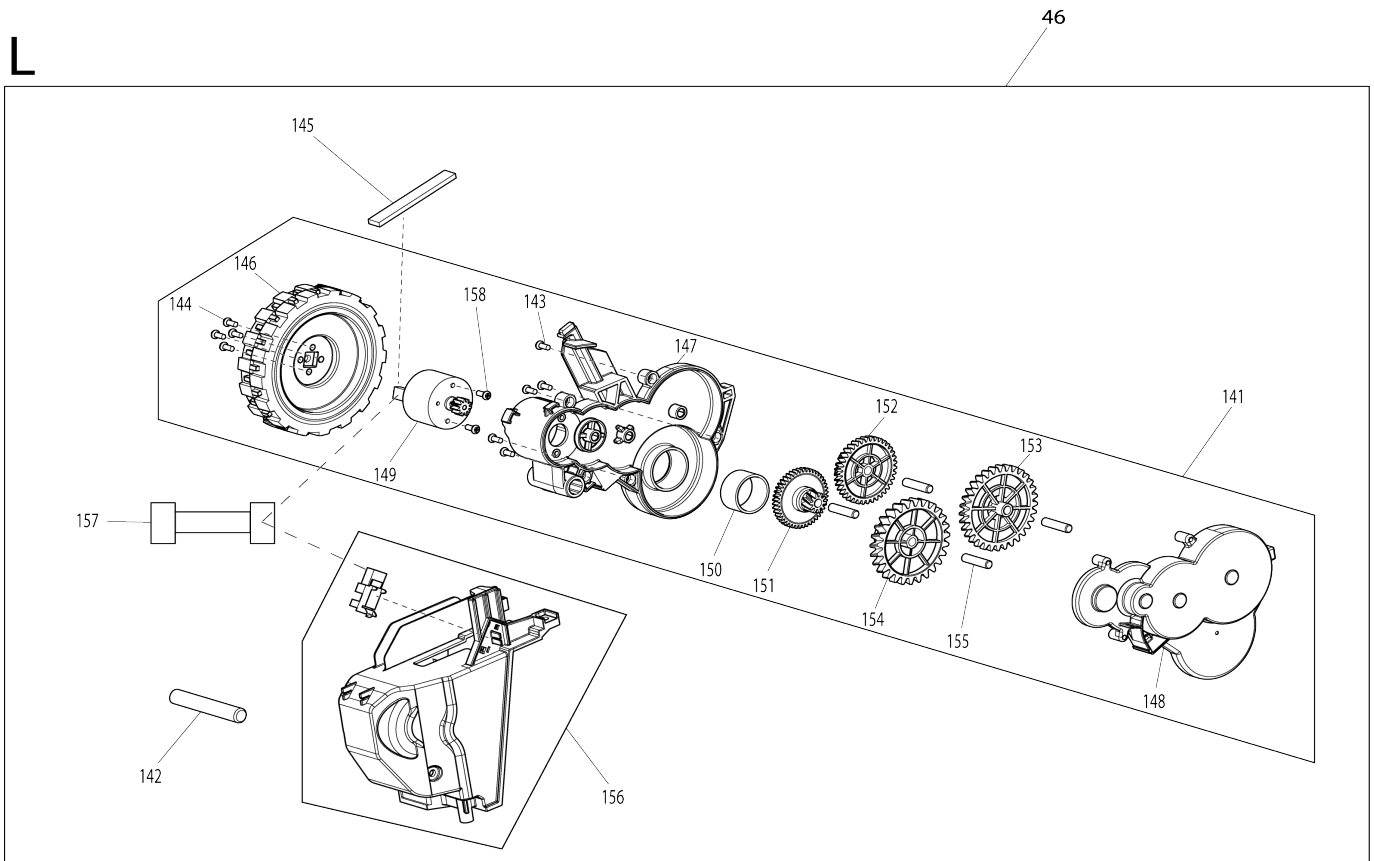
Model No.DRC200 ROBOTIC CLEANER



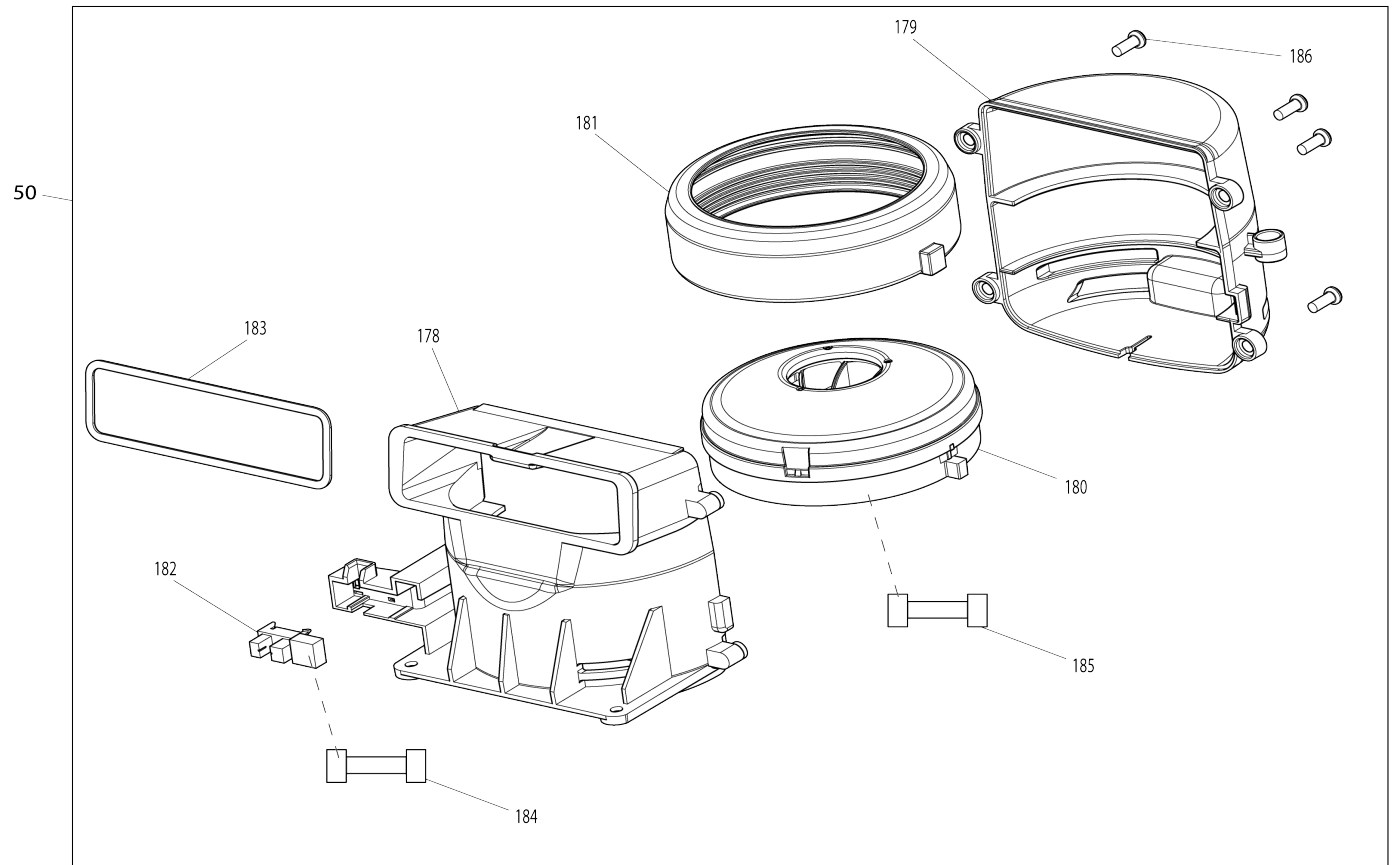
R



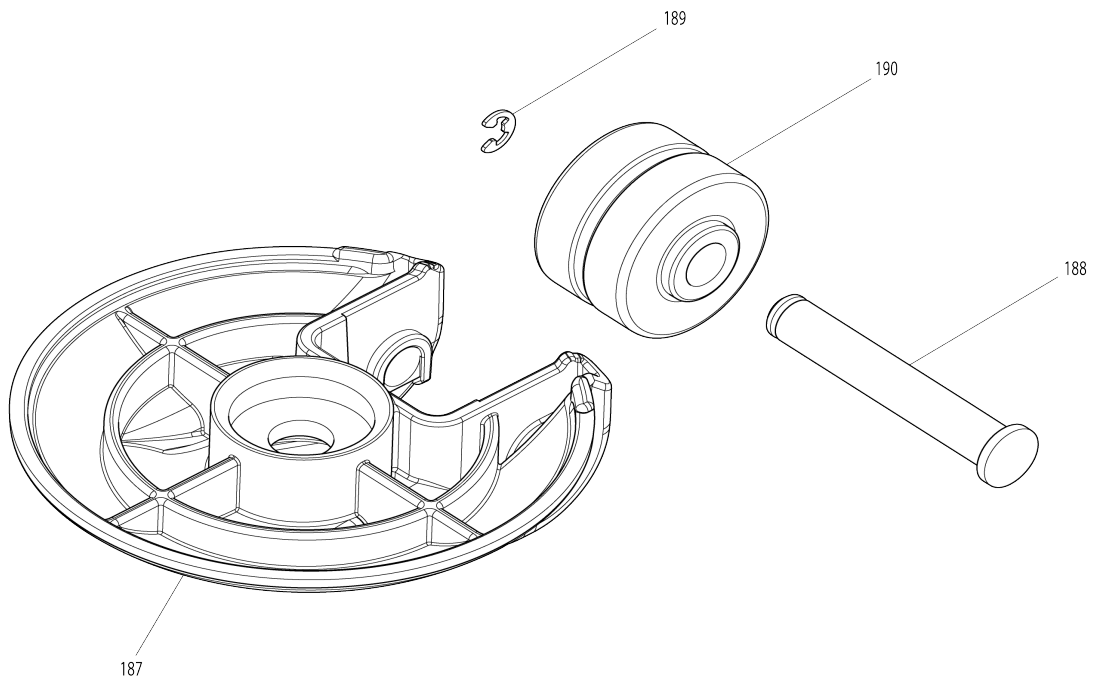
L



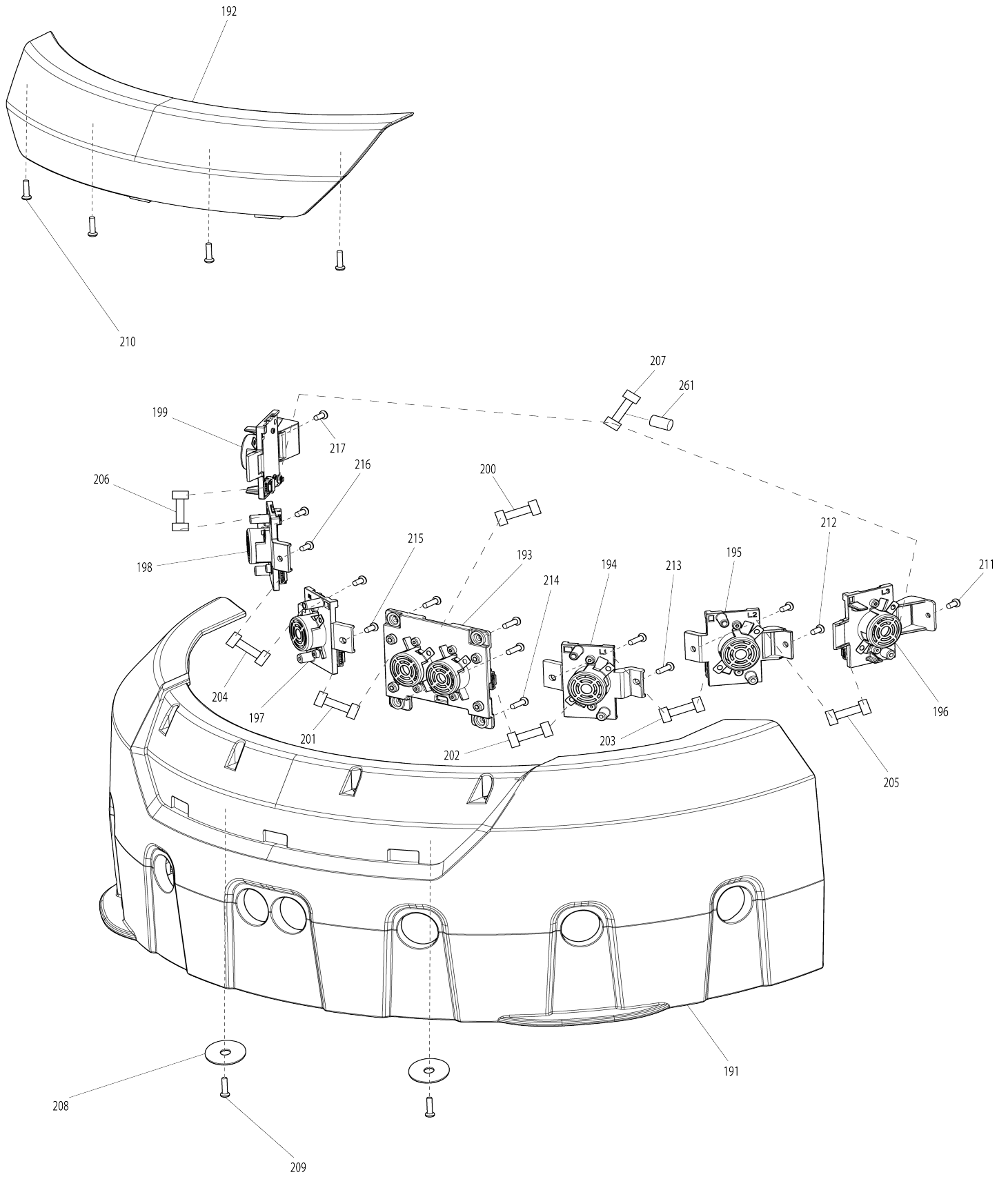
Model No.DRC200 ROBOTIC CLEANER



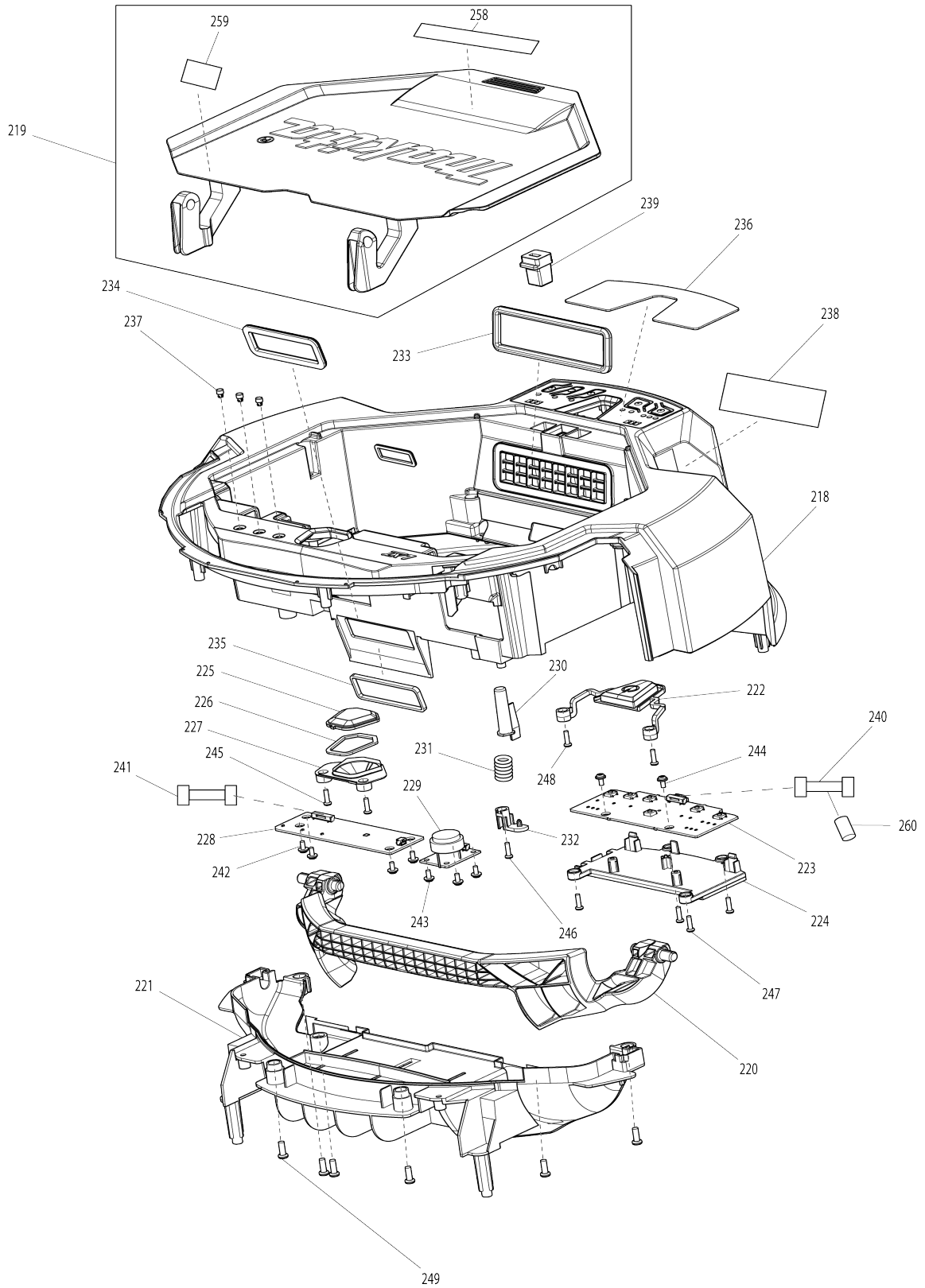
Model No.DRC200 ROBOTIC CLEANER



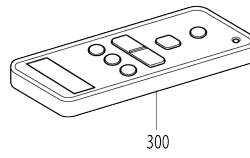
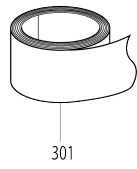
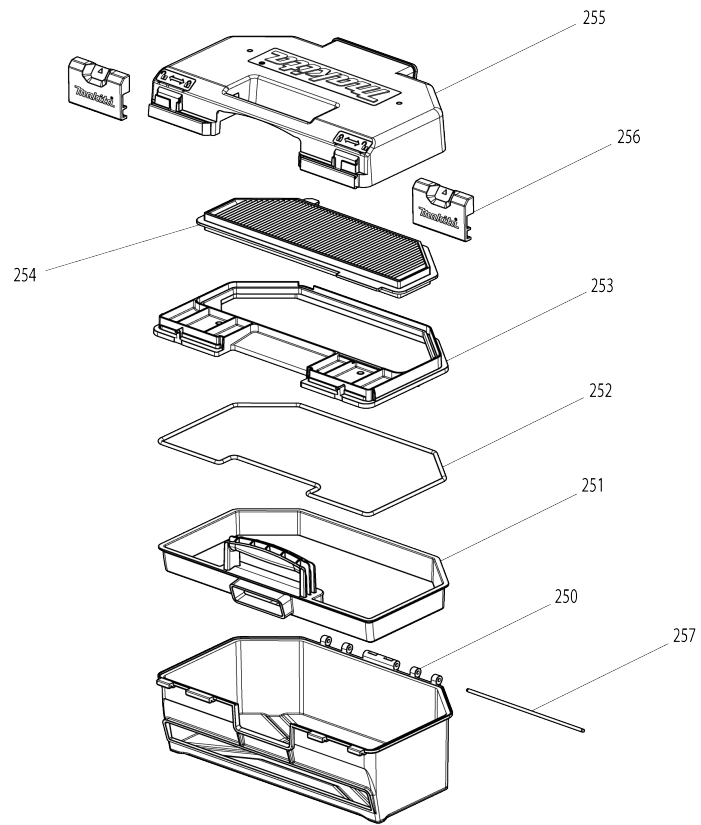
Model No.DRC200 ROBOTIC CLEANER



Model No.DRC200 ROBOTIC CLEANER



Model No.DRC200 ROBOTIC CLEANER



Model No.DRC200 ROBOTIC CLEANER

Item No.	Parts No.	Description	Interchangability	Q'ty	New/Old	Note1	Note2
001	SH00000063	MAIN BRUSH ASSY		1	*		
001-1	SH00000313	ROTATION BRUSH	<	1			
002	SH00000064	BOTTOM PLATE ASSY		1	*		
002-1	SH00000314	ROTATION BRUSH COVER	<	1			
003	SH00000065	SIDE BRUSH ASSY 2PCS		1			
004	SH00000066	FW COVER		1			
005	SH00000067	CABLE COVER R		1	*		
005-1	SH00000267	CABLE COVER R	<	1			
006	SH00000068	CABLE COVER L		1	*		
006-1	SH00000268	CABLE COVER	<	1			
007	SH00000069	SCREW(M4X8 MACHIN)		4			
008	SH00000070	SB SCREW ASSY 2PCS		1			
009	SH00000071	SCREW(M3X10)		2			
010	SH00000071	SCREW(M3X10)		1			
011	SH00000221	SCREW(M4X16)		6			
012	SH00000221	SCREW(M4X16)		10			
013	SH00000072	LOWER BODY ASSY		1	*		
013-1	SH00000315	LOWER BODY ASSY	<	1			
014	SH00000073	CONTROL PWB ASSY		1	*		
014-1	SH00000291	CONTROL PWB ASSY	<	1			
015	SH00000241	RF MODULE		1	*		
015-1	SH00000305	RF MODULE	<	1			
016	SH00000075	RF HOLDER		1			
017	SH00000076	CONTROL HOLDER ASSY		1	*		
017		INC. 51,52			*		
017-1	SH00000287	CONTROL HOLDER ASSY	O	1			
017-1		INC. 51,52					
018	SH00000078	AS PWB ASSY		1	*		
018-1	SH00000293	AS PWB ASSY	<	1			
019	SH00000079	BATTERY PWB ASSY		1	*		
019-1	SH00000272	BATTERY PWB ASSY	<	1	*		
019-2	SH00000306	BATTERY PWB ASSY	<	1			
020	SH00000080	INSULATING SHEET		1			
021	SH00000081	TERMINAL HOLDER L		1			
022	SH00000082	TERMINAL HOLDER R		1			
023	SH00000083	RUBBER PIN		2			
024	SH00000083	RUBBER PIN		2			
025	SH00000084	FRONT ROLLER SHAFT		1			
026	SH00000085	FRONT ROLLER ASSY		1	*		
026-1	SH00000457	FRONT ROLLER ASSY	<	1			
027	SH00000086	IR SENSOR C ASSY		1	*		
027-1	SH00000278	IR SENSOR C ASSY	<	1	*		
027-2	SH00000303	IR SENSOR C ASSY	<	1			
C10	SH00000307	TAPPING BUSH		2			
C20	SH00000308	IR HOLDER CK		1			
028	SH00000086	IR SENSOR C ASSY		1	*		
028-1	SH00000278	IR SENSOR C ASSY	<	1	*		

028-2	SH00000303	IR SENSOR C ASSY	<	1		
C10	SH00000307	TAPPING BUSH		2		
C20	SH00000308	IR HOLDER CK		1		
029	SH00000087	IR SENSOR S ASSY		1	*	
029-1	SH00000279	IR SENSOR S ASSY	<	1	*	
029-2	SH00000304	IR SENSOR S ASSY	<	1		
C10	SH00000307	TAPPING BUSH		2		
C20	SH00000309	IR HOLDER SK		1		
030	SH00000087	IR SENSOR S ASSY		1	*	
030-1	SH00000279	IR SENSOR S ASSY	<	1	*	
030-2	SH00000304	IR SENSOR S ASSY	<	1		
C10	SH00000307	TAPPING BUSH		2		
C20	SH00000309	IR HOLDER SK		1		
031	SH00000088	BL SENSOR ASSY		1	*	
031-1	SH00000280	BL SENSOR ASSY	<	1		
032	SH00000222	SENSOR LENS SHEET		2	*	
033	SH00000222	SENSOR LENS SHEET		1	*	
035	SH00000222	SENSOR LENS SHEET		1	*	
036	SH00000222	SENSOR LENS SHEET		1	*	
037	SH00000222	SENSOR LENS SHEET		1	*	
038	SH00000089	WEIGHT PLATE		2		
039	SH00000090	BUMPER ANGLE L		1		
040	SH00000091	BUMPER ANGLE R		1	*	
040-1	SH00000277	BUMPER ANGLE R	O	1		
041	SH00000092	BUMPER SPRING		1		
042	SH00000092	BUMPER SPRING		1		
043	SH00000093	SB UNIT L ASSY		1		
043		INC. 101-110,112				
044	SH00000094	SB UNIT R ASSY		1		
044		INC. 114-123,125				
045	SH00000095	PB SUPPORT S ASSY		1	*	
045		INC. 127-138,140			*	
045-1	SH00000316	PB SUPPORT SK ASSY	<	1		
045-1		INC. 127-138,140				
046	SH00000096	MAIN WHEEL L ASSY		1	*	
046		INC. 141,142,145,156,157			*	
046-1	SH00000458	MAIN WHEEL L ASSY	<	1		
046-1		INC. 141,142,145,156,157				
047	SH00000097	MAIN WHEEL R ASSY		1	*	
047		INC. 160,161,164,175,176			*	
047-1	SH00000288	MAIN WHEEL R ASSY	O	1	*	
047-1		INC. 160,161,164,175,176			*	
047-2	SH00000459	MAIN WHEEL R ASSY	<	1		
047-2		INC. 160,161,164,175,176				
048	SH00000098	WHEEL SPRING		1		
049	SH00000098	WHEEL SPRING		1		
050	SH00000099	AIR DUCT UNIT ASSY		1		
050		INC. 178-186				
051	SH00000101	BUMPER SW CABLE		1		
052	SH00000101	BUMPER SW CABLE		1		
053	SH00000223	COOLING FAN S ASSY		1		
054	SH00000224	COOLING FAN SEAL		2		

055	SH00000104	BATTERY CABLE L		1	*		
055-1	SH00000273	BATTERY CABLE L	<	1			
056	SH00000105	BATTERY CABLE R		1			
057	SH00000106	BATTERY PS CABLE		1			
058	SH00000107	BATTERY SIGNAL CABLE		1			
059	SH00000108	BATTERY EARTH CABLE		1			
060	SH00000109	AS CABLE		1			
061	SH00000242	CLIFF SENSOR CABLE L		1			
062	SH00000243	CLIFF SENSOR CABLE R		1			
063	SH00000110	SCREW(M3X8XWASHER8)		5			
064	SH00000110	SCREW(M3X8XWASHER8)		3			
065	SH00000110	SCREW(M3X8XWASHER8)		3			
066	SH00000111	SCREW(M4X10)		3			
067	SH00000111	SCREW(M4X10)		2			
068	SH00000111	SCREW(M4X10)		2			
069	SH00000111	SCREW(M4X10)		2			
070	SH00000111	SCREW(M4X10)		1			
071	SH00000111	SCREW(M4X10)		1			
072	SH00000111	SCREW(M4X10)		1			
073	SH00000111	SCREW(M4X10)		3			
074	SH00000111	SCREW(M4X10)		3			
075	SH00000111	SCREW(M4X10)		2			
076	SH00000111	SCREW(M4X10)		3			
077	SH00000111	SCREW(M4X10)		2			
078	SH00000111	SCREW(M4X10)		3			
079	SH00000111	SCREW(M4X10)		4			
080	SH00000111	SCREW(M4X10)		2			
081	SH00000111	SCREW(M4X10)		2			
082	SH00000111	SCREW(M4X10)		4			
083	SH00000111	SCREW(M4X10)		4			
084	SH00000112	WASHER(4.5X13XT1)		2			
085	SH00000113	SCREW(M5X10XWASHER16)		2			
086	643899-6	TERMINAL		1	*		
086-1	643523-1	TERMINAL	<	1			
087	643899-6	TERMINAL		1	*		
087-1	643523-1	TERMINAL	<	1			
088	SH00000226	PC WASHER		2			
089	SH00000236	SENSOR LENZ SEAL		1	*		
090	SH00000236	SENSOR LENZ SEAL		1	*		
091	SH00000236	SENSOR LENZ SEAL		1	*		
092	SH00000236	SENSOR LENZ SEAL		1	*		
093	SH00000236	SENSOR LENZ SEAL		1	*		
094	SH00000236	SENSOR LENZ SEAL		1	*		
095	SH00000244	FERRITE CORE		4			
101	SH00000114	MOTOR S ASSY		1			
102	SH00000115	SB MOTOR HOLDER L		1			
103	SH00000116	SB MOTOR COVER		1			
104	SH00000117	SB METAL		1			
105	SH00000118	SB GEAR 4 ASSY		1			
106	SH00000119	SB GEAR 3		1			
107	SH00000120	SB GEAR 2		1			

108	SH00000121	COMMON SHAFT 1		1		
109	SH00000122	SB GEAR SHAFT 1		2		
110	SH00000123	SCREW(M2.6X4 MACHINE)		2		
111	SH00000124	SIDE BRUSH CABLE		1		
112	SH00000071	SCREW(M3X10)		3		
113	SH00000227	MOTOR SEAL		1		
114	SH00000114	MOTOR S ASSY		1		
115	SH00000125	SB MOTOR HOLDER R		1		
116	SH00000116	SB MOTOR COVER		1		
117	SH00000117	SB METAL		1		
118	SH00000120	SB GEAR 2		1		
119	SH00000119	SB GEAR 3		1		
120	SH00000118	SB GEAR 4 ASSY		1		
121	SH00000121	COMMON SHAFT 1		1		
122	SH00000122	SB GEAR SHAFT 1		2		
123	SH00000123	SCREW(M2.6X4 MACHINE)		2		
124	SH00000124	SIDE BRUSH CABLE		1		
125	SH00000071	SCREW(M3X10)		3		
126	SH00000227	MOTOR SEAL		1		
127	SH00000126	PB MOTOR D ASSY		1	*	
127-1	SH00000317	PB MOTOR DK ASSY	<	1		
128	SH00000127	PB SUPPORT COVER K		1		
129	SH00000129	PB BELT GEAR 2		1		
130	SH00000130	BELT GEAR SHAFT		1		
131	SH00000131	PB BELT GEAR 3		1		
132	SH00000132	PB HOLDER ASSY		1	*	
132-1	SH00000318	PB HOLDER K ASSY	<	1		
133	SH00000133	BEARING		1		
134	SH00000133	BEARING		1		
135	SH00000134	P WASHER 050		1		
136	SH00000134	P WASHER 050		1		
137	SH00000135	U RING		1	*	
137-1	SH00000228	E RING	X	1		
138	SH00000136	TIMING BELT		1		
139	SH00000137	PB MOTOR CABLE		1		
140	SH00000071	SCREW(M3X10)		2		
141	SH00000139	MAIN WHEEL L UNIT		1	*	
141		INC. 143,144,146-155,158			*	
141-1	SH00000460	MAIN WHEEL L UNIT	<	1		
141-1		INC. 143,144,146-155,158				
142	SH00000152	MAIN WHEEL SHAFT		1		
143	SH00000071	SCREW(M3X10)		5		
144	SH00000229	SCREW(M3X10)		4		
145	SH00000227	MOTOR SEAL		1		
146	SH00000150	WHEEL L ASSY		1	*	
146-1	SH00000461	WHEEL L ASSY	<	1		
147	SH00000140	WHEEL GEAR BOX L		1		
148	SH00000141	WHEEL GEAR COVER L		1		
149	SH00000142	MW MOTOR S ASSY		1		
150	SH00000143	WHEEL METAL RING		1		
151	SH00000144	WHEEL GEAR 2		1		
152	SH00000145	WHEEL GEAR 3		1		

153	SH00000146	WHEEL GEAR 4		1		
154	SH00000147	WHEEL GEAR 5		1		
155	SH00000148	WHEEL GEAR SHAFT 1		4		
156	SH00000151	WHEEL L UNIT COVER		1		
157	SH00000153	WHEEL CABLE		1		
158	SH00000123	SCREW(M2.6X4 MACHINE)		2		
160	SH00000154	MAIN WHEEL R UNIT		1	*	
160		INC. 162,163,165-174,177			*	
160-1	SH00000462	MAIN WHEEL R UNIT	<	1		
160-1		INC. 162,163,165-174,177				
161	SH00000152	MAIN WHEEL SHAFT		1		
162	SH00000071	SCREW(M3X10)		5		
163	SH00000229	SCREW(M3X10)		4		
164	SH00000227	MOTOR SEAL		1		
165	SH00000157	WHEEL R ASSY		1	*	
165-1	SH00000463	WHEEL R ASSY	<	1		
166	SH00000155	WHEEL GEAR BOX R		1		
167	SH00000156	WHEEL GEAR COVER R		1		
168	SH00000142	MW MOTOR S ASSY		1		
169	SH00000143	WHEEL METAL RING		1		
170	SH00000144	WHEEL GEAR 2		1		
171	SH00000145	WHEEL GEAR 3		1		
172	SH00000146	WHEEL GEAR 4		1		
173	SH00000147	WHEEL GEAR 5		1		
174	SH00000148	WHEEL GEAR SHAFT 1		4		
175	SH00000158	WHEEL R UNIT COVER		1	*	
175-1	SH00000289	WHEEL R UNIT COVER	O	1		
176	SH00000153	WHEEL CABLE		1		
177	SH00000123	SCREW(M2.6X4 MACHINE)		2		
178	SH00000159	AIR DUCT FRONT		1		
179	SH00000160	AIR DUCT REAR		1		
180	SH00000161	FAN MOTOR UNIT ASSY		1		
181	SH00000162	FAN CUSHION		1		
182	SH00000077	PHOTO SENSOR		1		
183	SH00000163	INTAKE SEAL		1		
184	SH00000164	CUP SENSOR CABLE		1		
185	SH00000165	FAN MOTOR CABLE		1		
186	SH00000111	SCREW(M4X10)		4		
187	SH00000166	REAR CASTER FRAME		2		
188	SH00000167	REAR CASTER SHAFT		2		
189	SH00000135	U RING		2		
190	SH00000168	CASTER ASSY		2	*	
190-1	SH00000464	CASTER ASSY	<	2		
191	SH00000169	BUMPER		1		
192	SH00000170	BUMPER DECO		1		
193	SH00000171	US HOLDER C ASSY		1	*	
193-1	SH00000295	US HOLDER C ASSY	<	1		
194	SH00000172	US HOLDER L1 ASSY		1	*	
194-1	SH00000296	US HOLDER L1 ASSY	<	1		
195	SH00000173	US HOLDER L2 ASSY		1	*	
195-1	SH00000297	US HOLDER L2 ASSY	<	1		

196	SH00000174	US HOLDER L3 ASSY		1	*		
196-1	SH00000298	US HOLDER L3 ASSY	<	1			
197	SH00000175	US HOLDER R1 ASSY		1	*		
197-1	SH00000299	US HOLDER R1 ASSY	<	1			
198	SH00000176	US HOLDER R2 ASSY		1	*		
198-1	SH00000300	US HOLDER R2 ASSY	<	1			
199	SH00000177	US HOLDER R3 ASSY		1	*		
199-1	SH00000301	US HOLDER R3 ASSY	<	1			
200	SH00000245	US CABLE C		1			
201	SH00000179	US CABLE 1		1			
202	SH00000179	US CABLE 1		1			
203	SH00000180	US CABLE 2		1			
204	SH00000180	US CABLE 2		1			
205	SH00000181	US CABLE 3		1			
206	SH00000181	US CABLE 3		1			
207	SH00000182	US EARTH CABLE		1			
208	SH00000183	WASHER(4.5/25/T1)		2			
209	SH00000111	SCREW(M4X10)		2			
210	SH00000184	SCREW(M3X6)		18	*		
210-1	SH00000184	SCREW(M3X6)	O	4			
211	SH00000184	SCREW(M3X6)		1			
212	SH00000184	SCREW(M3X6)		2			
213	SH00000184	SCREW(M3X6)		2			
214	SH00000184	SCREW(M3X6)		4			
215	SH00000184	SCREW(M3X6)		2			
216	SH00000184	SCREW(M3X6)		2			
217	SH00000184	SCREW(M3X6)		1			
218	SH00000185	UPPER BODY		1			
219	SH00000247	CASE COVER K		1			
220	SH00000187	HANDLE		1			
221	SH00000188	HANDLE COVER		1	*		
221-1	SH00000269	HANDLE COVER	<	1			
222	SH00000189	UI BUTTON		1			
223	SH00000190	UI PWB ASSY		1	*		
223-1	SH00000302	UI PWB ASSY	<	1			
224	SH00000191	UI PWB HOLDER		1			
225	SH00000192	LED LENS L		1			
226	SH00000193	LED LENS SEAL		1			
227	SH00000194	LED REFLECTOR		1			
228	SH00000195	LED PWB ASSY		1			
229	SH00000196	BUZZER PWB ASSY		1			
230	SH00000197	FILTER BUTTON		1	*		
230-1	SH00000270	FILTER BUTTON	O	1			
231	SH00000198	FILTER BUTTON SP		1			
232	SH00000199	FILTER BUTTON HOLDER		1	*		
232-1	SH00000271	FILTER BUTTON HOLDER	O	1			
233	SH00000200	INTAKE PACKING		1			
234	SH00000201	NOZZLE PACKING		1			
235	SH00000202	NOZZLE SEAL		1			
236	SH00000248	UI KEY SHEET		1			
237	SH00000204	LED LENS S		3			
238	SH00000205	EXHAUST FILTER ASSY		1			

239	SH00000206	CATCH LATCH		1		
240	SH00000249	UI CABLE		1		
241	SH00000208	LED CABLE		1		
242	SH00000110	SCREW(M3X8XWASHER8)		4		
243	SH00000110	SCREW(M3X8XWASHER8)		3		
244	SH00000110	SCREW(M3X8XWASHER8)		2		
245	SH00000184	SCREW(M3X6)		2		
246	SH00000071	SCREW(M3X10)		1		
247	SH00000071	SCREW(M3X10)		4		
248	SH00000071	SCREW(M3X10)		2		
249	SH00000111	SCREW(M4X10)		6		
250	SH00000209	DUST BOX LOWER		1		
251	SH00000210	DUST CASE		1		
252	SH00000211	DUST SEAL RING		1		
253	SH00000212	DUST BOX UPPER		1		
254	SH00000213	FILTER UNIT'S ASSY		1		
255	SH00000214	DUST BOX COVER		1		
256	SH00000215	DUST SLIDE LEVER		2		
257	SH00000216	DUST BOX PIN		1		
258	SH00000252	CAUTION LABEL		1		
259	SH00000253	ROBOPRO LABEL		1		
260	SH00000244	FERRITE CORE		1		
261	SH00000244	FERRITE CORE		1		
262	SH00000274	BATTERY CIRCUIT FILM		1		
263	SH00000275	FILM		1		
264	SH00000276	CLEAR FILM		1		
300	SH00000219	RF CONTROLLER ASSY		1		
301	SH00000231	SENSOR WALL TAPE Europe		1		
302	SH00000281	BL SENSOR SEAL		2		
304	SH00000407	TAPPING SCREW M3X16		2		

Please state Parts No. when your order.

Print Date 28/10/2024